

COLEMAN® TELESCOPE

C70060K



INSTRUCTIONS & OWNER'S MANUAL

Please retain the packaging and instructions for further reference, as they contain important information.

INTRODUCTION:

Congratulations on your purchase of the precision crafted C70060K COLEMAN telescope. With the proper care and handling of your telescope, you will enjoy years of viewing pleasure.

As an astronomical device, the C70060K telescope has been designed for both a beginner and advanced star gazer. It provides views of the moon and planets, as well as dozens of galaxies, star clusters, and nebulae.

As a terrestrial (land) telescope, the C70060K brings the world's natural wonders closer. It delivers superb scenic views and allows for observation of animals and landscapes from a distance. To obtain the best performance from your telescope, please carefully read this manual.

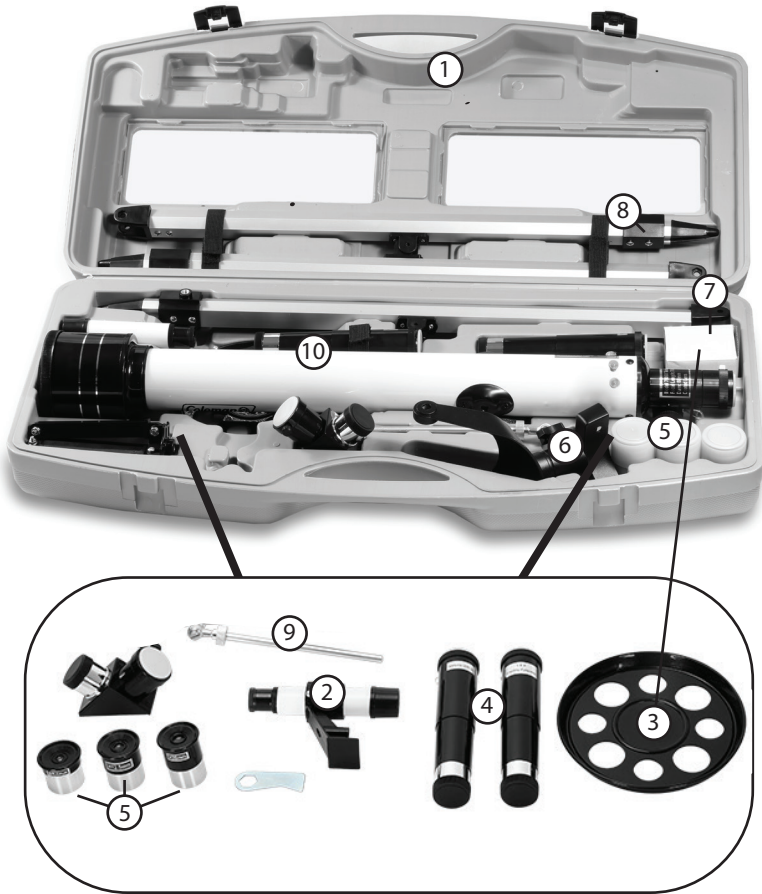
***WARNING! DO NOT VIEW THE SUN THROUGH A TELESCOPE!
SERIOUS INJURY TO THE EYES MAY OCCUR***

For use by an adult or under the supervision of an adult.

PARTS LIST FOR C70060K TELESCOPE:

INCLUDED PARTS:

1. Heavy Duty Carrying Case
2. Finder scope with bracket attached
3. Accessory Tray, screws (3) & wing nuts (3)
4. 3x Barlow
5. Eyepieces SR4, H12.5, H20 with Eyepiece Cases (3)
6. Yoke
7. Tripod leg attachment bolts and wing nuts (3)
8. Tripod leg adjustment knobs (3)
9. Vertical fine adjustment rod
10. Telescope optical tube



ACCESSORIES NOT PICTURED:

1. Moon Filter
2. Astrowatch™ Astronomy Software



WARNING!
CHOKING HAZARD



ASTM



Specifications, colors, packaging, and/or contents of this manual are subject to change without notice.

ASSEMBLY:

- 1) Carefully remove all parts from the cardboard carton and lay them on a table, floor or other flat surface in order to take an inventory of all the pieces. Keep your box for storage or in case you ever need to ship your telescope.
- 2) Extend the legs, and lock each one at the desired height with the supplied tripod adjustment knob (See Fig. 1).



(Fig. 1)

- 3) Connect all three tripod legs to the yoke with the supplied tripod leg attachment bolts, washers, and nuts. Each leg has a hinged black metal flange located halfway down its length. The legs should be positioned so that these hinged flanges are facing the inside of the tripod. (See Fig. 2).



(Fig. 2)

4) Slowly loosen the tripod leg adjustment knobs and gently pull out the lower section of each tripod leg. Tighten the knobs to hold the legs in place. Spread the tripod legs apart to stand the tripod upright. Adjust the height of each tripod leg until the tripod head is properly leveled. Place the accessory tray on top of the bracket and secure.

(See Fig. 3 and Fig. 4 below)



(Fig. 3)



(Fig. 4)

5) After the nuts and bolts have been firmly tightened, the telescope optical tube assembly can be attached to the yoke. The tube slips between the two uprights of the U-shaped yoke. When the tube is securely in position insert one of the large plastic knobs into the threaded socket and tighten. Repeat on the other side. See Fig. 5.



(Fig. 5)

6) Locate the vertical fine adjustment rod. It is a chrome-plated metal rod about six inches long. Insert the smooth end into the chromed holder located on the side of the yoke (See Fig. 6). You may have to loosen the large plastic locking knob in order to insert the adjustment rod. Once the rod is inserted tighten the large locking knob just enough to prevent the rod from falling out.

Locate the chrome post on the side of the telescope tube near the focusing assembly. Remove the screw from the post. Insert it through the hole in the end of the vertical fine adjustment rod and into the post. Turn the screw clockwise until it is tight. (Do not over-tighten.) (See Fig. 6a)



(Fig. 6)

7) Remove the finder scope and finder scope bracket from the box. Remove the two knurled thumbscrews from the telescope main tube (See Fig. 7). Position the finder scope bracket onto the telescope tube so that the holes in the base of the bracket line up with the exposed holes in the telescope tube. Replace the two thumbscrews and tighten securely (See Fig. 8). Insert the finder scope into the bracket and tighten the knurled thumbscrews to keep the finder scope securely in place.



(Fig. 7)



(Fig. 8)

8) Insert the H20 eyepiece into the eyepiece holder (See Fig. 9). Tighten the small set screw to hold the eyepiece securely in place.



(Fig. 9)

9) A 2X Barlow lens is supplied to double the basic magnifying power provided by any of the eyepieces. In viewing situations where very high magnifying powers are desired, insert the 2X Barlow lens between the eyepiece and the focusing tube (See Fig. 10).



(Fig. 10)

A. FINDER SCOPE ALIGNMENT:

Since a telescope by design has a narrow field of view, it can be challenging to locate the particular object you wish to view. For this reason the telescope is fitted with a low-power, wide-field miniature optical device called a finder scope. Always use your finder scope to first locate the object you would like to view. The finder scope should be aligned with the main telescope tube before you begin using the telescope, in order that both the telescope and finder scope are positioned to provide exactly the same angle and view.

Note: Objects in the finder scope are upside down. This is normal and is common to all astronomical telescopes.

B. COMPLETE THE FOLLOWING SETTINGS IN DAYLIGHT:

- 1) Insert the H20 eyepiece into the eyepiece holder. Look at an easily recognizable, stationary object that is at least 300 feet away. Slightly loosen the two altitude control locking knobs, the azimuth locking knob (See Fig. 2 on page 4), and the vertical fine adjustment rod. Turn the telescope on both its horizontal and vertical axis until the object is in the center of the field of view. Then bring the image into focus.
- 2) Firmly re-tighten the adjusting knobs and the vertical fine adjustment rod so that the telescope is locked in position.
- 3) Look through the finder scope. If the object is not visible or centered in the finder scope, simply release one of the three small adjusting screws holding the finder scope and re-position the finder scope until the object is centered within the X-shaped crosshairs.
- 4) All screws should be completely tightened as soon as the view through the finder scope coincides with the view of the main telescope.
- 5) You may need to repeat this procedure to ensure a perfect alignment.

C. THE ALTAZIMUTH MOUNT:

The C70060K telescope is fitted with an altazimuth mount. "Alt" refers to altitude, the vertical movement of the telescope, while "azimuth" refers to the horizontal movement.

D. ABOUT MAGNIFICATION:

The magnification power of a telescope indicates how much an image is enlarged or how big and close it appears to the viewer. The focal length of the eyepiece, combined with the focal length of the telescope, determines the magnification power. To calculate the power of your telescope with any particular eyepiece, simply divide the focal length of the telescope (700mm) by the focal length of the eyepiece (indicated in “mm” on the eyepiece collar).

Example: $\frac{700 \text{ mm focal length (tube)}}{10 \text{ mm focal length (eyepiece)}} = 70x \text{ magnification power}$

The 2X Barlow lens and interchangeable eyepieces provide the following magnification values:

<u>EYEPIECE</u>	<u>POWER</u>	<u>Power With 3X Barlow Lens</u>
H20	35x	105x
H12.5	56x	168x
SR4	175x	525x

When you are looking at astronomical objects, you are looking through a column of air that reaches to the edge of space, and that column of seldom stays still. Similarly, when viewing over land (terrestrial viewing), you are often looking through heat waves radiating from the ground, homes, buildings, etc. Your telescope may be able to provide very high magnifications, but you often end up magnifying all the turbulence between the telescope and the object you wish to view. The level of magnification required depends on the object.

Optimal performance is obtained if the magnification is typically not more than about 30x for every 10mm of objective lens diameter. Another good rule of thumb is that the usable magnification of a telescope is about 3x per mm of the aperture (for the C70060K, the aperture is 60mm) under good conditions. Thus, magnification of around 180x or less is ideal for a telescope with a 60mm diameter objective mirror (aperture) and is best for observing most celestial objects. A lower magnification power and a wider field of view are advisable for observing galaxies and nebulae. The highest magnification power should be used for highly detailed observations of the moon, Jupiter, Saturn, or any object that is quite bright.

The highest magnification power of the Barlow lens with a 4mm (included) eyepiece combination should only be used for large or bright objects such as the moon and the brightest planets.

E. USING YOUR TELESCOPE:

- 1) It is recommended to use your telescope outside or at times through open windows. Your view can be distorted by reflections in the glass of a closed window or at times by air currents of differing temperatures passing through an open window.
- 2) Let your telescope adjust to the outside temperature. Your telescope will perform much better if the temperature of the mirrors, eyepiece lenses, and the air inside the tube are the same as the outside temperature. It may take up to 30 minutes to equalize the temperatures when the difference in temperatures is extreme.
- 3) Find a location far from glaring light. If you live in an urban area, your viewing will probably improve the farther you move away from the city's lights. The sky glow of a town or city can dramatically reduce the telescope's performance and viewing capabilities.
- 4) Remove the dust cap from the end of the telescope nearest the eyepiece holder and the finder scope. The dust cap consists of two pieces—a small, removable center piece and the large main cap. Both pieces should be removed. The open end of the optical tube is pointed toward the subject you wish to observe.
- 5) Begin your viewing session by using only the H20 eyepiece. It will give you the widest angle and the brightest, sharpest views. To adjust the angle of the telescope, loosen the tightening screws on either side of the mounting yoke and the azimuth locking knob (See Fig. 2 on page 4). If you wish to adjust the angle of the telescope tube vertically in large increments, also loosen the tightening knob that holds the vertical fine adjustment rod. For fine vertical motions, gradually tighten the knurled knob on the vertical fine adjustment rod.

When possible, avoid sudden temperature changes, as the moisture in the air will condense on the mirrors and eyepiece lenses. Should this occur after bringing your telescope indoors, remove the dust caps and allow the moisture to evaporate naturally. Point the telescope downward to minimize the collection of airborne dust. Once all of the moisture has evaporated, replace the dust caps.

G. A NOTE ON TERRESTRIAL VIEWING:

You may notice that when you observe a terrestrial object on land or water it appears upside down.

To correct this, a 1.5x Image Erecting Lens may be used with your telescope. This accessory is inserted in the eyepiece holder of the telescope between the eyepiece and the telescope. With the image erecting lens, objects will appear in their proper orientation for terrestrial and land observation

NOTE: Use of the 3X Barlow lens with this accessory is not recommended .

The image erecting lens provides 1.5x magnification, which means that the H20 eyepiece will magnify objects from 35x to 52.5x when used in conjunction with the image erecting lens.



H. CARE AND CLEANING OF THE OPTICS:

The optical components of a telescope will get dirty over time. Dirt or dust on a lens should be removed with the utmost care. A considerable amount of dirt or dust would have to accumulate on the optical surface before your view would be compromised.

- 1) Keeping dust caps on during storage and transport will reduce dust collection.
- 2) Condensation may collect on the optical surfaces when the telescope is not in use. Remove the dust caps and allow the moisture to evaporate naturally. Point the telescope downward to minimize the accumulation of airborne dust.
- 3) Once all moisture has evaporated, replace the dust caps.
- 4) Filtered, compressed air may be used to remove surface dust from the lenses. Remove the dust cap. Once removed, point the can away from the lens and gently expel some air and any condensation or dust that has accumulated on the discharge tube. Spray the lens with short bursts of air to carefully remove the dust particles. Clean eyepieces and optical surfaces with special lens paper only. Eyepieces should be handled with care. Avoid touching optical surfaces.

DO NOT HOLD THE TRIGGER OF THE COMPRESSED AIR CAN FOR EXTENDED PERIODS BECAUSE PROPELLANT FROM THE CAN MIGHT ESCAPE AND DAMAGE THE OPTICAL SURFACES.

If, after several attempts, you cannot remove the particles, take the telescope to an optical professional for cleaning. If you keep the dust caps on your telescope when it is not in use and avoid handling the lenses or mirrors, only minimal optical maintenance of your telescope should be required. Extensive cleaning is usually only necessary every few years.

WHAT TO LOOK FOR IN THE NIGHT SKY:

There is a whole universe of objects you could view at night, so where do you start? We recommend starting with the most prominent objects first.

• The Moon

The moon is the easiest target to find at night. When the moon is in full position, it bathes the night with a silvery light that washes the sky of all but the brightest objects. The best time to view the moon is not when it is full, but rather when it is less than half full. The dividing line between dark and light on the moon, called the terminator, shows the best detail in the craters and mountains.

The included Moon Filter will thread directly onto the bottom of most eyepieces. Think of a Moon Filter like sunglasses for your telescope. Moon filters cut down glare and bring out more surface detail and provide better contrast.

• The Planets

The planets, our solar system companions, range in size and substance from moon-size rocky bodies to giant gas balls, which could hold Earth 1,000 times over. To find the planets, you will need information about their times of visibility. The included Astronomical Software CD or an astronomy magazine will give you the locations of the planets as they change position from month to month. The Internet is also an excellent source of information, offering star charts, maps, and more!

The popular and more familiar constellations often provide the easiest landmarks to help find the planet's locations and paths of orbit. Most people have looked up at the sky at night and seen some of the planets without even realizing it. A planet looks like a bright star but does not twinkle like a star does; it looks like a tiny ball. Venus, Mars, Jupiter, and Saturn are the easiest planets to view. Mercury is dimmer, usually below the horizon, and more challenging to find.

Each of the planets provides interesting views. Venus is covered with clouds so all that is visible is an extremely bright light, the brightest next to the moon. However, Venus, like the moon, goes through phases. As it travels around the sun, different areas of its surface are illuminated, producing crescent shapes of varying sizes. Mars is the red planet. When it is above the horizon, it is noticeably red and stands out like a beacon in the night sky. The apparent brightness of Mars varies as the planet orbits around the sun and throughout its period of visibility, it will look brighter or dimmer depending on its distance from Earth.

Jupiter is the largest planet in our solar system and the second brightest next to Venus. Jupiter has many moons, four of which are often visible through your telescope when viewing conditions permit. As you watch them throughout the evening, you will see that they change position relative to each other and to Jupiter. It is possible with careful planning to actually see one of the moons disappear either in front of or behind Jupiter as it orbits around the planet. Another great feature of Jupiter is its cloud belt. Jupiter is alive with weather activity and its clouds have formed over time into belts visible through telescopes in the right atmospheric conditions.

Saturn, the second largest planet, is not as bright as Jupiter and so its moons are not as visible through small telescopes. The large rings that encircle Saturn are spectacular to observe, however. The planet and its rings appear pale yellow. The major division in the rings, the Cassini division, is possible to see if you keep the telescope firmly in position.

Uranus and Neptune are the last of the solar system's gas giants. They do not provide as spectacular a sight as Jupiter or Saturn, but are nonetheless rewarding to see.

Beyond our solar system there are many more objects to be found. Galaxies, nebulae, and star clusters abound!

J. ABOUT THE INCLUDED ASTRONOMY SOFTWARE CD:

With direct, easy to understand explanations and impressive visuals of all kinds of night sky phenomena, the **ASTROWATCH™** Astronomy Pack software is the best way to share the wonders of the universe with family and friends. You'll never be "lost in space" with this superb planetarium-in-a-box that will get you up and viewing in minutes.

Locate objects easily using the SmartFind feature, and the Daily Events Reminder lists the celestial events visible at night from your backyard. Hear the correct pronunciation of the constellations and hundreds of celestial objects, see the night sky from anywhere on Earth, and learn to identify planets, stars, and constellations for every season.

With handy tips in the Sky Guide, printable star charts and 50 interactive guided tours for an up-close, in-depth look at planets and stars in our solar system, the wonders of the universe will be at your fingertips. The CD also features object descriptions of 400 popular deep space objects -from double stars to lenticular galaxies, a comprehensive User's Guide and much more!

K. FREQUENTLY ASKED QUESTIONS:

1) How far can I see?

If you stand outside and look up at the night sky on a clear evening, you can see hundreds of stars without the aid of your telescope. The telescope is a light-gathering instrument that magnifies the view—providing significantly more detail and unveiling more stars, nebulae, and celestial objects. With the aid of a telescope, you will be able to enjoy exciting views of Saturn’s rings, Jupiter’s major moons, the Orion Nebula, and much more.

2) Why can’t I see anything through my telescope?

If you see only gray or black when looking through your telescope, even after searching for an object to view, it is very likely that you are using an eyepiece that is too powerful. To solve this problem always start with the lowest power eyepiece at first, and only insert the higher-power eyepiece after you have located an object.

3) When I use my high-power eyepiece, everything looks much darker. Why?

As magnification in a telescope increases, brightness diminishes. Conversely, brightness increases when magnification is reduced. If an image appears too dark or unclear, use a lower-powered eyepiece. Views of small, bright objects are superior to those of large, dark, or blurry ones! Atmospheric conditions, air currents, as well as light and air pollution also affect viewing quality.

4) As I look through my telescope, why do objects in the sky appear to move?

The constant rotation of the Earth makes things appear to move. Lower-power eyepieces will reduce this effect of movement considerably and allow you to observe an object for a longer duration before you have to readjust your telescope.

6) Whom do I contact for more information and product questions?

For any inquiries, parts, warranty or service information, please contact:



Phone: 800-441-1100
212-947-7100

e-mail: customerservice@elitebrands.com **or** support@elitebrands.com

[Visit our website at www.colemanoptics.com](http://www.colemanoptics.com)

Elite Brands Inc.
40 Wall Street 61st Flr.
New York, NY 10005
Tel: 1-800-441-1100

www.coleman.com

Coleman[®], ,  are registered trademarks of
The Coleman Company, Inc., used under license.

©2022 The Coleman Company, Inc.

MADE IN CHINA